

Nansa chair

musola

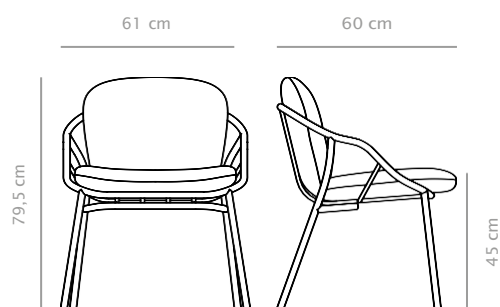
REF. 9025

Chair designed by Santiago Sevillano. With its frame made entirely of aluminium, it has a high lightness. Its seat is removable with water-permeable polyurethane foam (Dry Feel) and polyester fibre inside. Stackable up to four chairs.



Upholstery cat. B cat. C cat. D

Structure ep colours			
-------------------------	--	--	--



Designed by Santiago Sevillano.