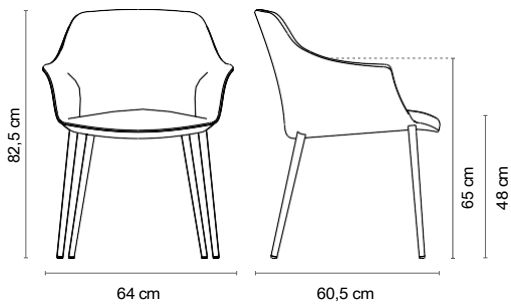


# KEDUA

ref. 4061

Upholstered seatshell.  
Metal legs.  
Removable cushion.

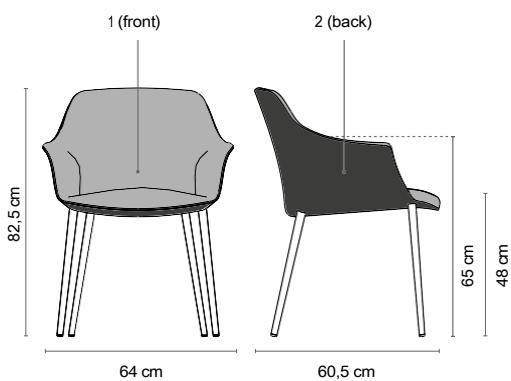


Designed by Santiago Sevillano.

# KEDUA

ref. 4062

Upholstered seatshell.  
Dual fabric.  
Metal legs.  
Removable cushion.



Designed by Santiago Sevillano.

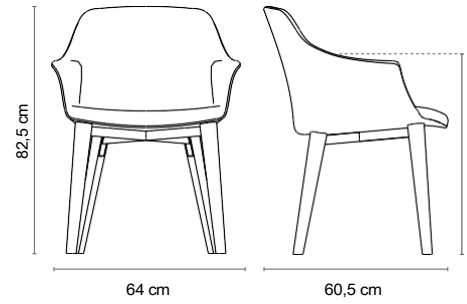


Designed by Santiago Sevillano.

## KEDUA

ref. 4071

Upholstered seatshell.  
Wooden legs.  
Removable cushion.



Designed by Santiago Sevillano.

## KEDUA

ref. 4072

Upholstered seatshell.  
Dual fabric.  
Wooden legs.  
Removable cushion.

