

TECHNICAL CHARACTERISTICS

SBAIPOP

Bai

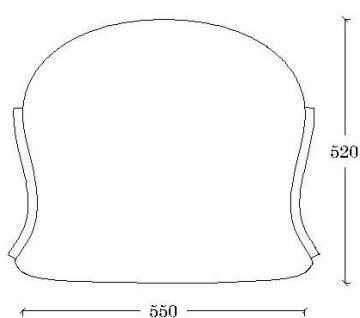
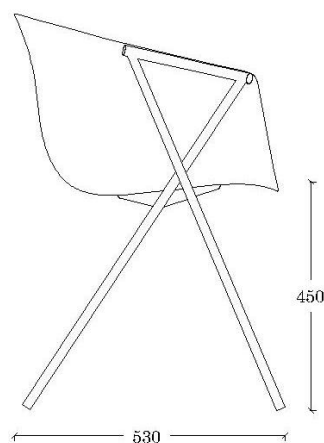
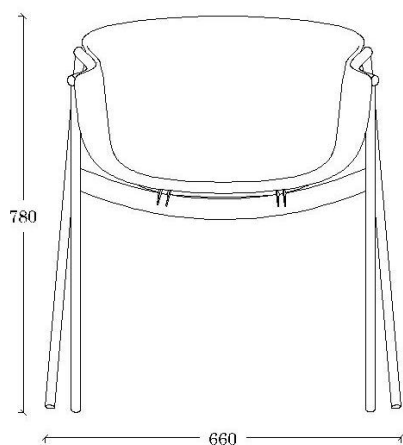
4 legs Chair - Outdoor

Generous proportions and wraparound lines, a versatile piece that has a noble and welcoming appearance. The Bai chair with its characteristic crossed leg frame that holds up the seat with its soft and organic curves in polypropylene.

DESIGNED BY ANDER LIZASO



ondarreta



DIMENSIONS

66 cm x 53 cm x 78 cm x 45 cm
[width x depth x height x seat
height]

WEIGHT

7,8 kg

PACKAGING

One chair per box.

Box dimensiones:

67 cm x 72 cm x 85 cm

CERTIFICATION

Product tested under the European
standard EN 161399:2013, category
of extreme use L2.

Designed in accordance with the
Ecodesign standard UNE-EN ISO
14006: 2011 certified by AENOR.

ORIGEN

100% Made in Europe

DISEÑO

Ander Lisazo



COMPONENTS

FRAME

Material

18 mm (0.7") side and 2 mm (0.08") thickness cold laminated E-220 quality (EN-10305 Normative) steel tube.
Tensile Strength > 310 N/mm² (44,960 psi);
Elastic Limit > 220 N/mm² (31,900 psi); Elongation > 23%

Finish

Colour Epoxy

SHELL

Textured polypropylene

Textured matt copolymer. Very good mechanical properties, light and UV ray resistant.

Check for fireproofing

Technical Characteristics:

Density (s / ISO 1183): 900 kg / m³

Yield stress (s / ISO 527-1 / -2): 23 N / mm²

Flexural modulus (s / ISO 178): 1100 N / mm² (23 ° C)

Finish

Textured matt.

METAL FINISHES

EPOXYS

Two-layer coating composed of zinc-rich epoxy primer and polyester resin powder coating with good mechanical and chemical properties. Maximum outdoor resistance and free of harmful compounds (TGIC). With electrostatic application and oven curing at 200°C (392°F).

Technical Characteristics:

Thickness (ISO 2360): between 60 and 90 µm.

Adherence (ISO 2409): Grade: 0 (maximum adherence)