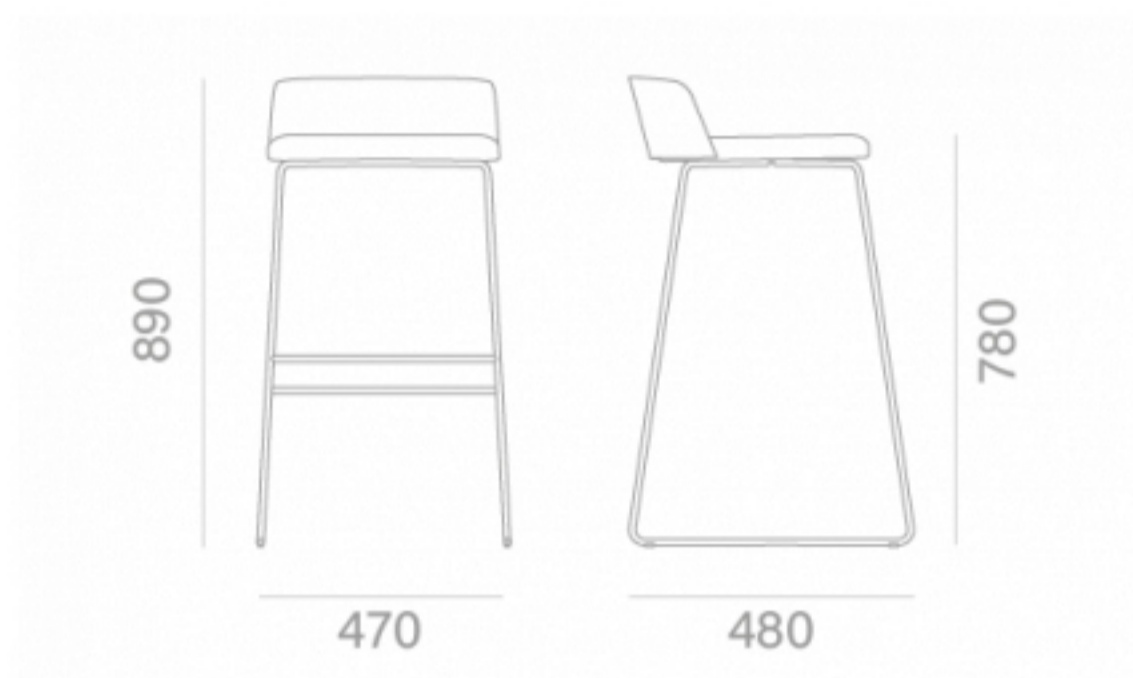


# CONCORD BARSTOOL METAL BASE

DESIGN BY CLAEISSON KOIVISTO RUNE

Structure: Steel skid rod base. Backrest and seat: Upholstered.



# CONCORD LOW BARSTOOL METAL BASE

DESIGN BY CLAEISSON KOIVISTO RUNE

Structure: Steel skid rod base. Backrest and seat: Upholstered.

