

# Nansa sofa 1

musola

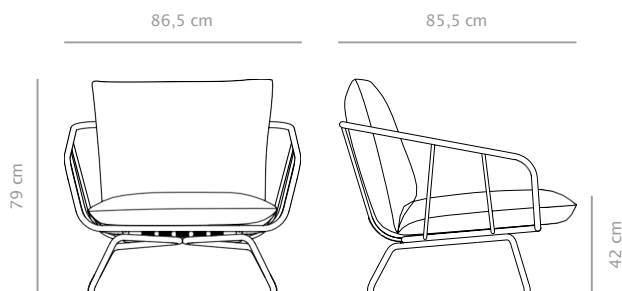
REF. 9030

Armchair designed by Santiago Sevillano, made entirely of stainless steel. Removable seat with water-permeable polyurethane foam (Dry Feel) and polyester fibre inside.



Upholstery    cat. B    cat. C    cat. D

Structure ep colours			
-------------------------	--	--	--



Designed by Santiago Sevillano.

# Nansa sofa 2

musola

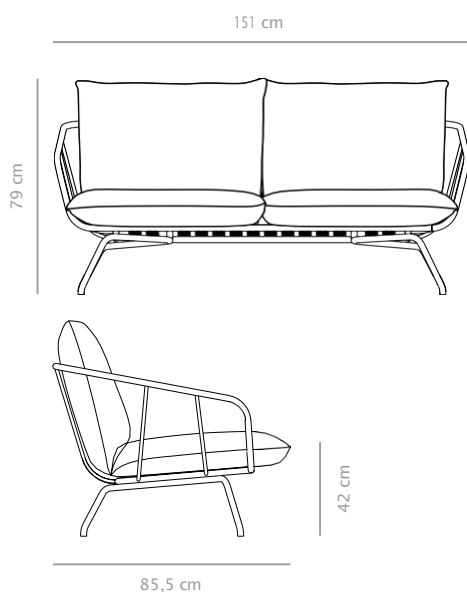
REF. 9031

Two seater sofa designed by Santiago Sevillano, made entirely of stainless steel. Removable seat with water-permeable polyurethane foam (Dry Feel) and polyester fibre inside.



Upholstery    cat. B    cat. C    cat. D

Structure ep colours			
-------------------------	--	--	--



Designed by Santiago Sevillano.

# Nansa sofa 3

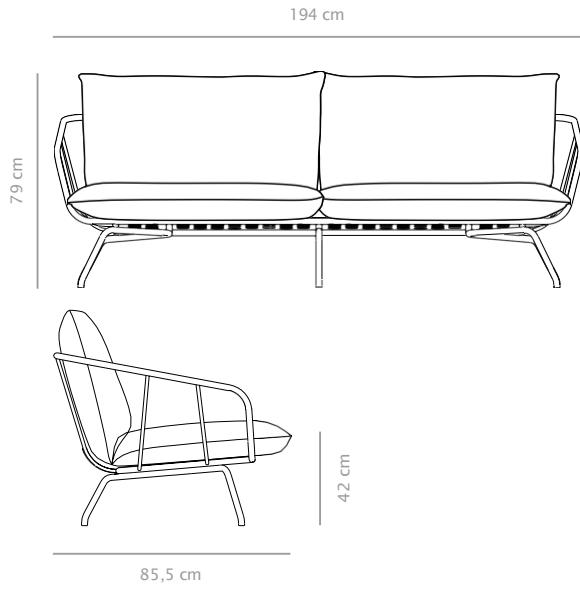
musola

REF. 9032

Three seater sofa designed by Santiago Sevillano, made entirely of stainless steel. Removable seat with water-permeable polyurethane foam (Dry Feel) and polyester fibre inside.

Upholstery    cat. B    cat. C    cat. D

Structure ep colours			
-------------------------	--	--	--



Designed by Santiago Sevillano.